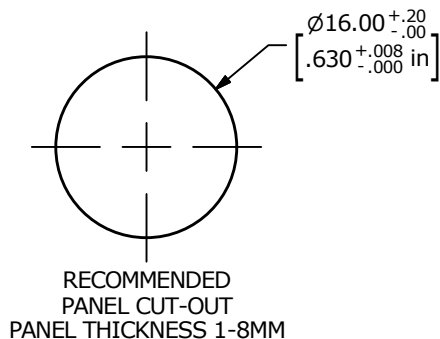
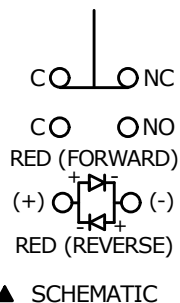
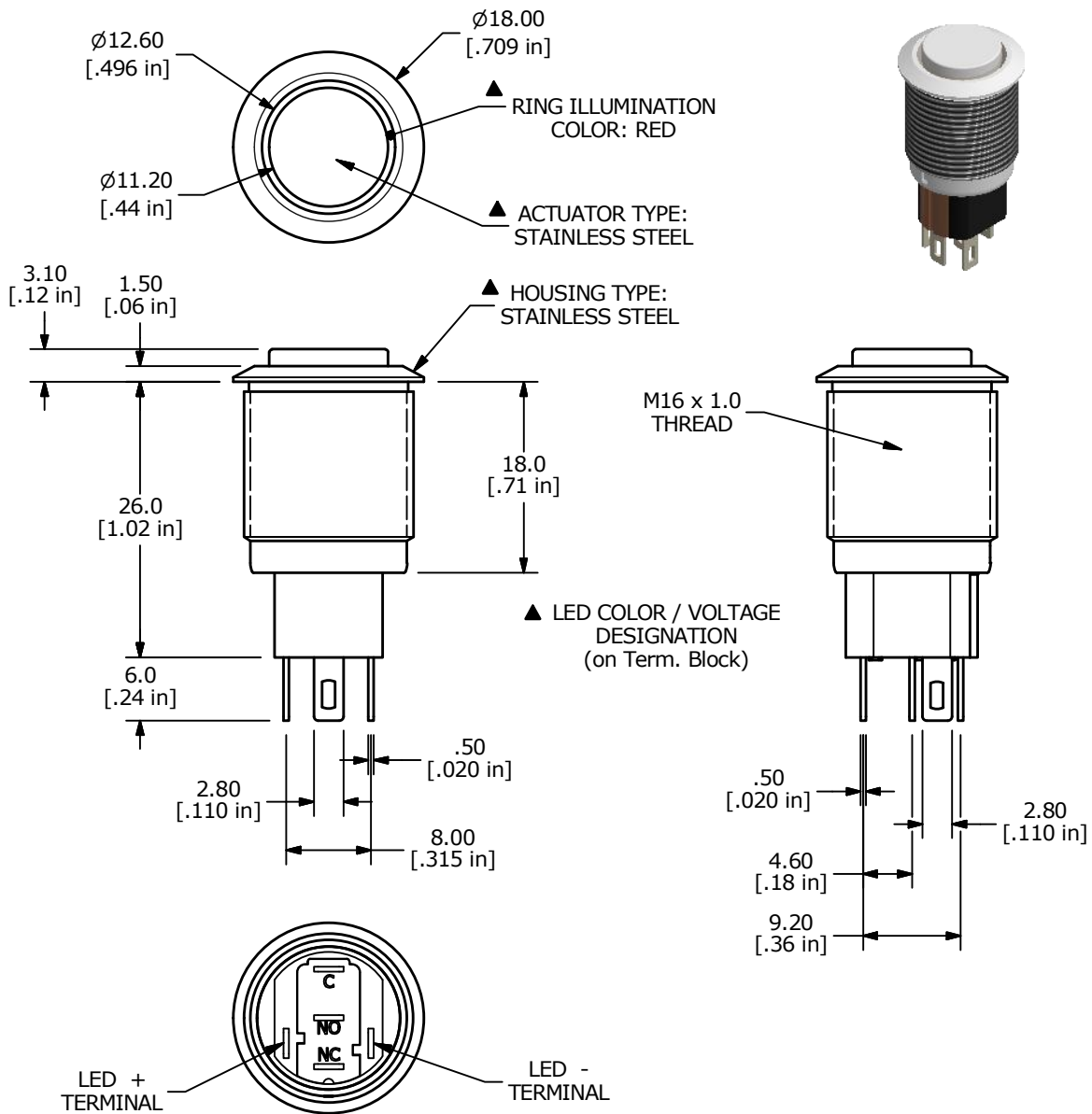


SWITCH FUNCTION	
POS. 1	POS. 2
ON	ON
C - NC	C - NO



- NOTE:
- ALL DIMENSIONS IN mm [INCH]
 - GENERAL TOLERANCE: X.X = ±0.4
X.XX = ±0.25
 - TERMINAL NUMBERS FOR REF ONLY
 - CONTACT MATERIAL: SILVER
 - RATING: 2A 36VDC
 - ELECTRIC LIFE: 50,000 MAKE-AND-BREAK CYCLES AT FULL LOAD.
 - INSULATION RESISTANCE: 1,000 MΩ MIN.
 - DIELECTRIC STRENGTH: 1,500 VAC MIN. FOR 1 MINUTE
 - CONTACT RESISTANCE: 50mΩ MAX.
 - OPERATING TEMP.: -25°C to 55°C
 - TRAVEL: 3.0mm
 - ▲ DENOTES CRITICAL PARAMETER
 - ACTUATION FORCE: 1.7N NOMINAL
 - INGRESS PROTECTION: IP65
 - HARDWARE SUPPLIED: O-RING AND HEXNUT
 - ▲ LAMP VOLTAGE: 1.8V RED LED



B	23342	change location of color/voltage callout	5/2/18	MW
A	23163	New Release	1/12/18	rc
REV	PCR NO	DESCRIPTION	DATE	BY

TITLE PVA3H230SS311				
SCALE	DATE	DR	DWG	REV
1.5:1	1/12/2018	rc	52-PVA3H230SS311	B

THE INFORMATION CONTAINED IN THIS DOCUMENT IS PROPRIETARY TO E-SWITCH AND IS NOT TO BE COPIED OR TRANSFERRED